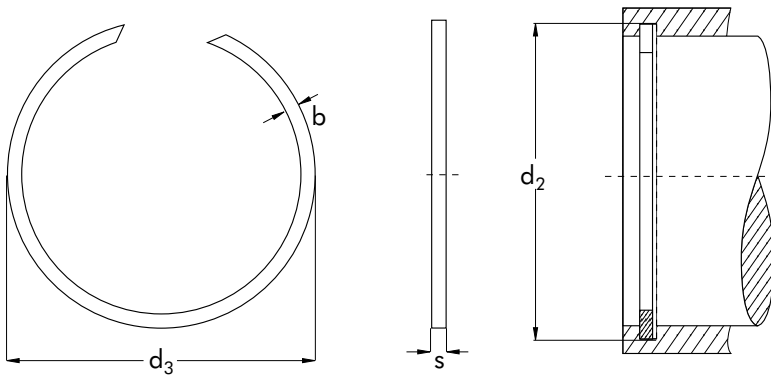
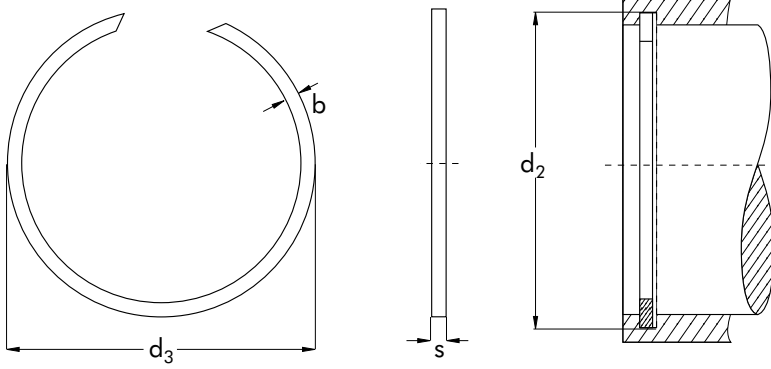


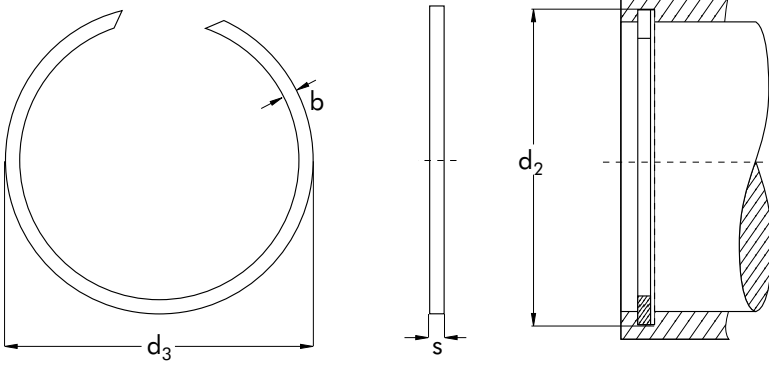
Ölçü	d3 _{min.}	b _(-0.1)	S _(-0.1)	d2	
7	7.5	1.00	0.8	7.3	+0.09
8	8.5	1.00	0.8	8.3	
9	9.5	1.10	0.8	9.3	
10	10.6	1.20	0.8	10.4	
11	11.6	1.30	1.0	11.4	+0.11
12	12.7	1.30	1.0	12.4	
13	13.8	1.30	1.0	13.5	
14	14.8	1.30	1.0	14.5	
15	15.8	1.30	1.0	15.5	
16	16.8	1.60	1.2	16.5	
17	17.8	1.70	1.2	17.5	
18	18.9	1.75	1.2	1.85	+0.13
19	19.9	1.75	1.2	19.6	
20	21.0	1.75	1.2	20.6	
21	22.0	1.75	1.2	21.6	
22	23.0	1.75	1.2	22.6	
23	24.0	1.75	1.2	23.6	
24	25.2	1.75	1.2	24.8	
25	26.2	1.75	1.2	25.8	
26	27.2	1.75	1.2	26.8	
27	28.2	1.75	1.2	27.8	
28	29.2	1.75	1.2	28.8	+0.16
29	30.2	1.75	1.2	29.8	
30	31.4	2.30	1.5	31.0	
31	32.4	2.30	1.5	32.0	
32	33.4	2.30	1.5	33.0	
33	34.4	2.30	1.5	34.0	
34	35.4	2.30	1.5	35.0	
35	36.4	2.30	1.5	36.0	
37	38.8	2.30	1.5	38.2	
38	39.8	2.30	1.5	39.2	
39	40.8	2.30	1.5	40.2	
40	41.8	2.30	1.5	41.2	
42	43.8	2.30	1.5	43.2	
43	44.8	2.30	1.5	44.2	



Ölçü	d3 _{min.}	b _(-0.1)	S _(-0.1)	d2	
44	45.8	2.30	1.5	45.2	+0.16
45	46.8	2.30	1.5	46.2	
46	47.8	2.30	1.5	47.2	
47	48.8	2.30	1.5	48.2	
48	49.8	2.30	1.5	49.2	
50	51.8	2.30	1.5	51.2	+0.19
52	54.3	2.30	1.5	53.5	
53	55.3	2.30	1.5	54.5	
55	57.3	2.30	1.5	56.5	
57	59.3	2.30	1.5	58.5	
58	60.3	2.30	1.5	59.5	
60	62.3	2.30	1.5	61.5	
62	64.3	2.30	1.5	63.5	
63	65.3	2.30	1.5	64.5	
65	67.3	2.30	1.5	66.5	
68	70.3	2.30	1.5	69.5	
70	72.3	2.30	1.5	71.5	
72	74.6	2.80	2.0	73.8	+0.22
73	75.6	2.80	2.0	74.8	
74	76.6	2.80	2.0	75.8	
76	78.8	2.80	2.0	77.8	
78	80.6	2.80	2.0	79.8	
79	81.6	2.80	2.0	80.8	
80	82.6	2.80	2.0	81.8	
81	83.6	2.80	2.0	82.8	
82	84.6	2.80	2.0	83.8	
83	85.6	2.80	2.0	84.8	
85	87.6	2.80	2.0	86.8	
86	88.6	2.80	2.0	87.8	
88	91.0	3.40	2.5	90.0	
90	93.0	3.40	2.5	92.0	
92	95.0	3.40	2.5	94.0	
93	96.0	3.40	2.5	95.0	
95	98.0	3.40	2.5	97.0	



Ölçü	d3 _{min.}	b _(-0.1)	S _(-0.1)	d2	
97	100.0	3.40	2.5	99.0	+0.22
98	101.0	3.40	2.5	100.0	
100	103.0	3.40	2.5	102.0	
102	153.3	3.40	2.5	104.3	
103	106.3	3.40	2.5	105.3	
105	108.3	3.40	2.5	107.3	
107	110.3	3.40	2.5	109.3	
108	111.3	3.40	2.5	110.3	
110	113.4	3.40	2.5	112.3	
112	115.4	3.40	2.5	114.3	
113	116.4	3.40	2.5	115.3	
115	118.4	3.40	2.5	117.3	
117	120.4	3.40	2.5	119.3	
118	121.4	3.40	2.5	120.3	
120	123.5	3.40	2.5	122.3	
123	126.5	3.40	2.5	125.3	
125	128.5	3.40	2.5	127.3	
127	130.5	3.40	2.5	129.3	
130	133.6	3.40	2.5	132.3	
133	136.6	3.40	2.5	135.3	
135	138.6	3.40	2.5	137.3	
137	140.6	3.40	2.5	139.3	
140	144.0	4.00	2.5	142.6	
143	147.0	4.00	2.5	145.6	
150	154.1	4.00	2.5	152.6	
153	157.1	4.00	2.5	155.6	
160	164.2	4.00	2.5	162.6	
163	167.2	4.00	2.5	165.6	
165	169.2	4.00	2.5	167.6	
170	174.3	4.00	2.5	172.6	
173	177.3	4.00	2.5	175.6	
175	179.3	4.00	2.5	177.6	+0.29
180	184.5	4.00	2.5	182.6	
183	187.5	4.00	2.5	185.6	



Ölçü	d3 _{min.}	b _(-0.1)	S _(-0.1)	d2	
190	194.9	5.00	3.0	193.0	+0.29
195	199.9	5.00	3.0	198.0	
200	205.0	5.00	3.0	203.0	
205	210.0	5.00	3.0	208.0	
210	215.1	5.00	3.0	213.0	
215	220.1	5.00	3.0	218.0	
220	225.2	5.00	3.0	233.0	
225	230.2	5.00	3.0	228.0	
230	235.3	5.00	3.0	233.0	
240	245.4	5.00	3.0	243.0	
250	255.5	5.00	4.0	253.0	
260	267.6	7.50	4.0	265.0	
270	277.7	7.50	4.0	275.0	
280	287.8	7.50	4.0	285.0	
290	297.9	7.50	4.0	295.0	
300	307.9	7.50	4.0	305.0	
310	318.0	7.50	4.0	315.0	
320	328.1	7.50	4.0	325.0	+0.36
325	333.1	7.50	4.0	330.0	
330	338.2	7.50	4.0	335.0	
340	348.3	7.50	4.0	345.0	
350	358.4	7.50	4.0	355.0	
355	363.4	7.50	4.0	360.0	
360	368.5	7.50	4.0	365.0	
370	378.5	7.50	4.0	375.0	
375	383.5	7.50	4.0	380.0	
380	388.6	7.50	4.0	385.0	
390	398.7	7.50	4.0	395.0	+0.40
395	403.7	7.50	4.0	400.0	
400	408.9	7.50	4.0	405.0	
410	419.0	7.50	4.0	415.0	
415	424.0	7.50	4.0	420.0	
420	429.1	7.50	4.0	425.0	
430	439.2	7.50	4.0	435.0	
440	449.3	7.50	4.0	445.0	